

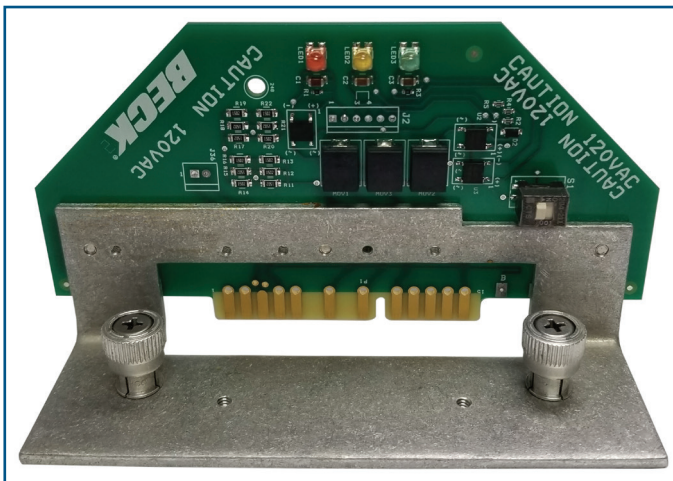
## Optional LED Display for Group 11 Open/Close Actuators

The optional LED display board (p/n 22-5008-49) for open/close and AC-pulsed Beck actuators (control option 3 through 6) provides lighted color indication of the actuator output position. The board resides in the same location (the electronics compartment) as that of the optional DCM display board, which is available with 4–20 mA modulating actuators (control option 9). The same compartment cover with a tempered glass window is used with all versions.

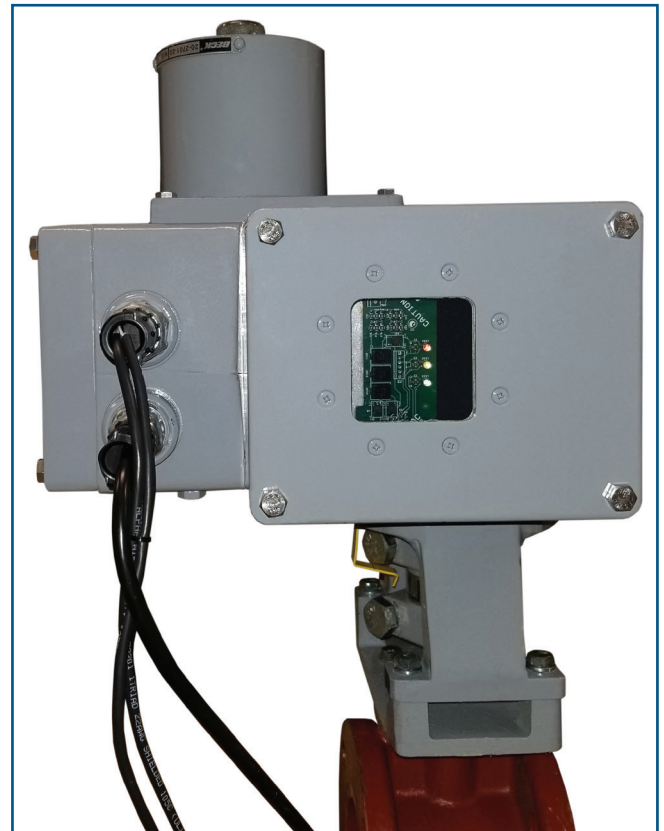
This display board includes a red, green and yellow LED to indicate the actuator output position. The lights are driven by 120 V ac actuator power and are energized using the actuator's internal auxiliary switches.

The red and green LEDs, which are intended to indicate OPEN and CLOSE ends-of-travel are easily set up by connecting jumpers on the actuator's terminal block (see the wiring diagram on the next page).

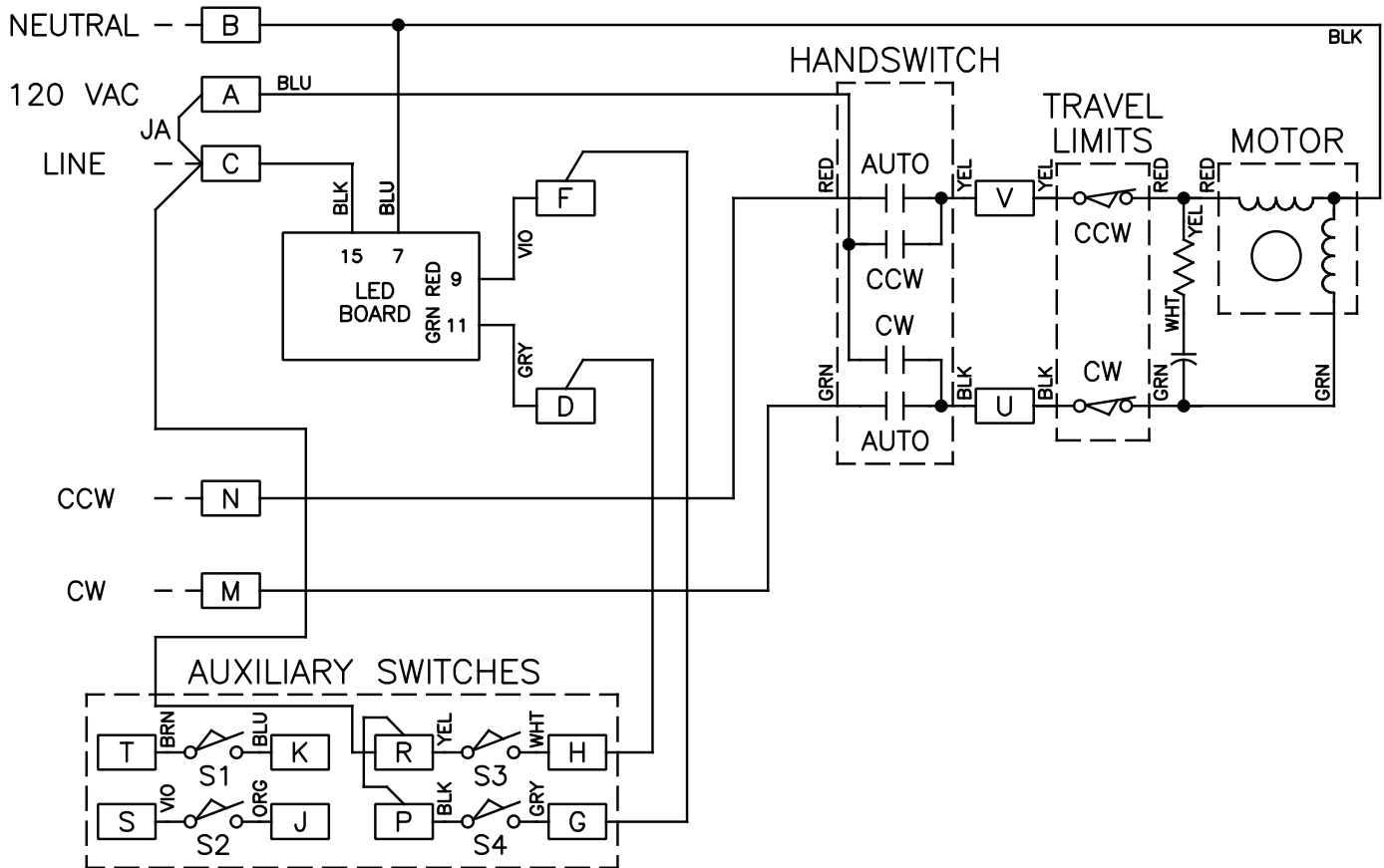
The yellow LED will light whenever both the red or green LED are not lit (when the actuator is not at either end-of-travel limit). If desired, the yellow LED may be turned off with a slide switch located on the board.



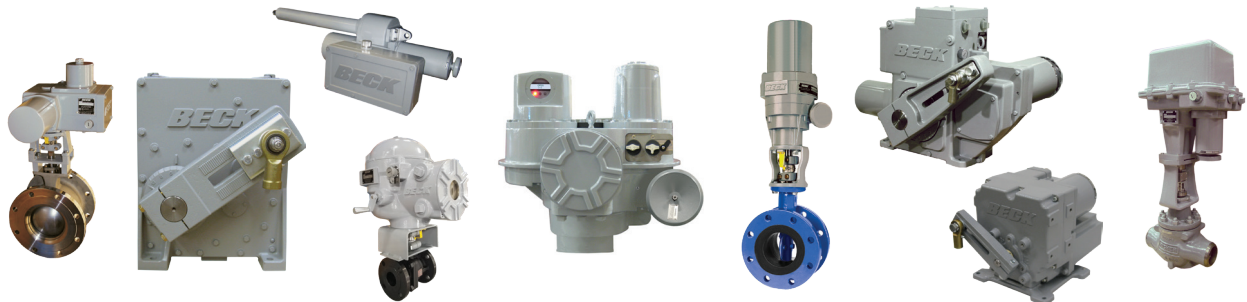
**OPTIONAL LED DISPLAY BOARD**



**OPTIONAL LED DISPLAY BOARD INSTALLED  
(MODEL 11-153 SHOWN)**



TYPICAL WIRING DIAGRAM WITH FOUR AUXILIARY SWITCHES



**BECK**<sup>®</sup>

**HAROLD BECK & SONS, INC.**

11 TERRY DRIVE • NEWTOWN, PENNSYLVANIA 18940 • USA  
 PHONE: 215-968-4600 • FAX: 215-860-6383 • E-MAIL: [sales@haroldbeck.com](mailto:sales@haroldbeck.com)  
[www.haroldbeck.com](http://www.haroldbeck.com)

Made in USA 

9/21  
 Rev. 1.1