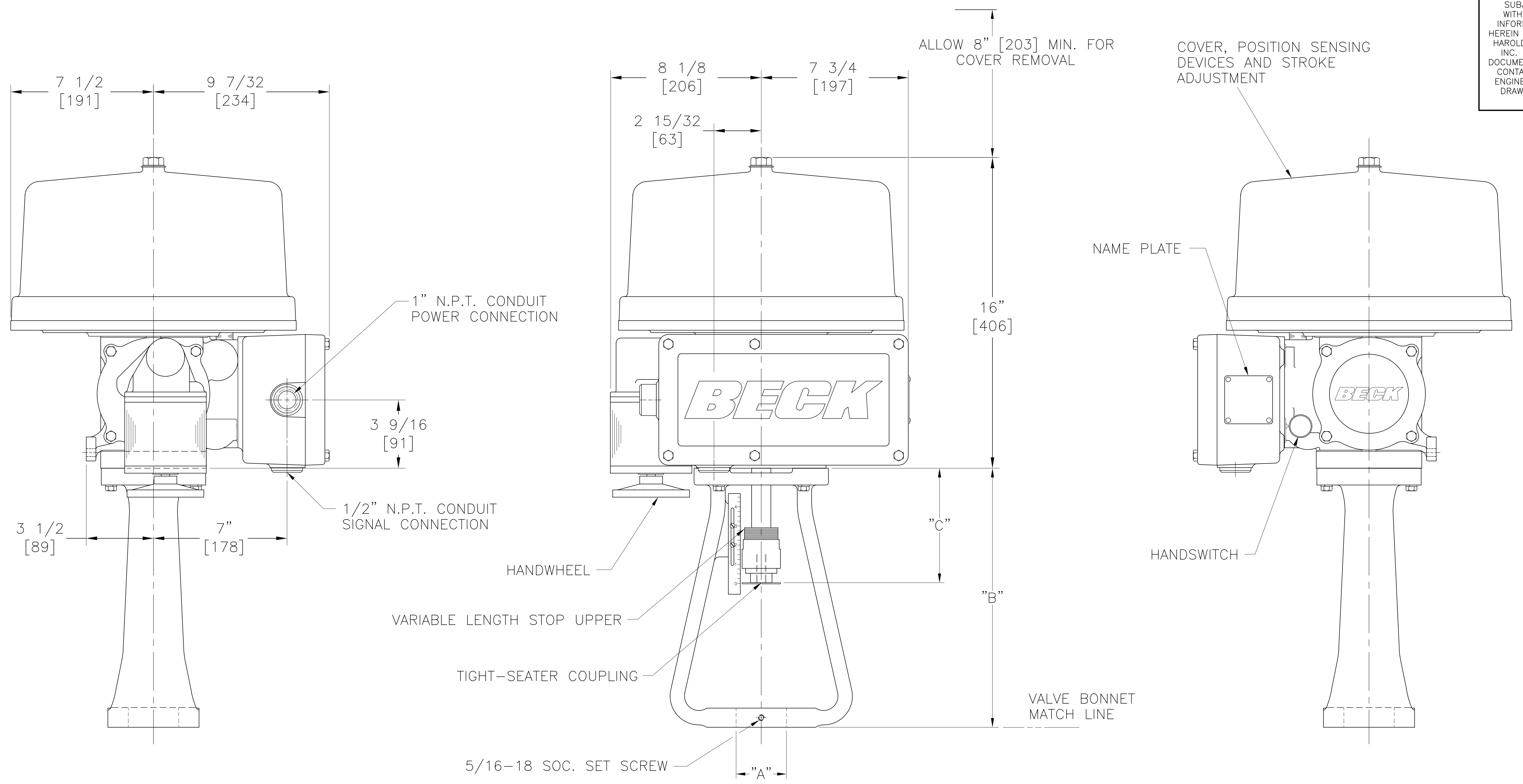


THIS DOCUMENT IS A COPY AND IS NOT THE SOURCE DOCUMENT. INFORMATION IS SUBJECT TO CHANGE WITHOUT NOTICE. THE INFORMATION CONTAINED HEREIN IS COPYRIGHTED BY HAROLD BECK AND SONS, INC. CHANGES TO THE DOCUMENT ARE PROHIBITED. CONTACT A BECK SALES ENGINEER IF A CERTIFIED DRAWING IS REQUIRED.

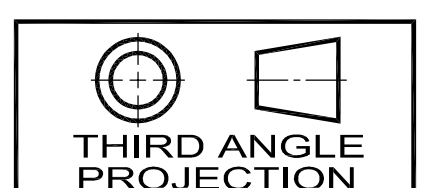


ALL DIMENSIONS ARE IN INCHES AND [MM] UNLESS OTHERWISE SPECIFIED.  
 THREADS AND TAPPED HOLES ARE SPECIFIED AS UNIFIED THREAD SIZES ONLY.  
 CONDUIT PIPE THREADS PER AMERICAN NATIONAL STANDARD TAPER PIPE THREADS (N.P.T.)

BECK DRIVE MODEL NO.	DRIVE STEM TRAVEL RANGE	"A" VALVE BOSS DIA. RANGE	"B" YOKE HEIGHT	"C" MAX. DRIVE STEM EXTENSION	MAX. VALVE STEM EXTENSION (STEM RETRACTED)	MAX. WEIGHT
<input type="checkbox"/> 14-100	5/16 - 1 3/4 [8 - 44]	1" - 2 5/8 [25 - 67]	8" [203]	4 3/16 [106]	5 1/2 [140]	80 LBS. 36 KGS.
<input type="checkbox"/> 14-100	3/4 - 2 1/8 [19 - 54]	1 3/8 - 3 3/4 [35 - 95]	13 1/2 [343]	6 [152]	9 1/4 [235]	92 LBS. 42 KGS.

TOLERANCE:  
 ALL DIMENSIONS ±1/4 [±6]

18-0014-01o



**HAROLD BECK & SONS INC**  
NEWTOWN INDUSTRIAL COMMONS NEWTOWN, PENNSYLVANIA 18940 USA

TITLE:  
**OUTLINE DIMENSIONS BECK 14-100 DRIVE**  
 5/16" TO 2 1/8" [8mm TO 54mm] TRAVEL

DRAWN: GMD 11/7/07	SCALE: NONE	DRAWING NO: <b>18-0014-01o</b>	REV: <b>C</b>
CHECKED: DMS 11/9/07			
APPROVED: JHM 11/12/07		SHEET NO. 1 OF 1	

SIZE:  
**D**