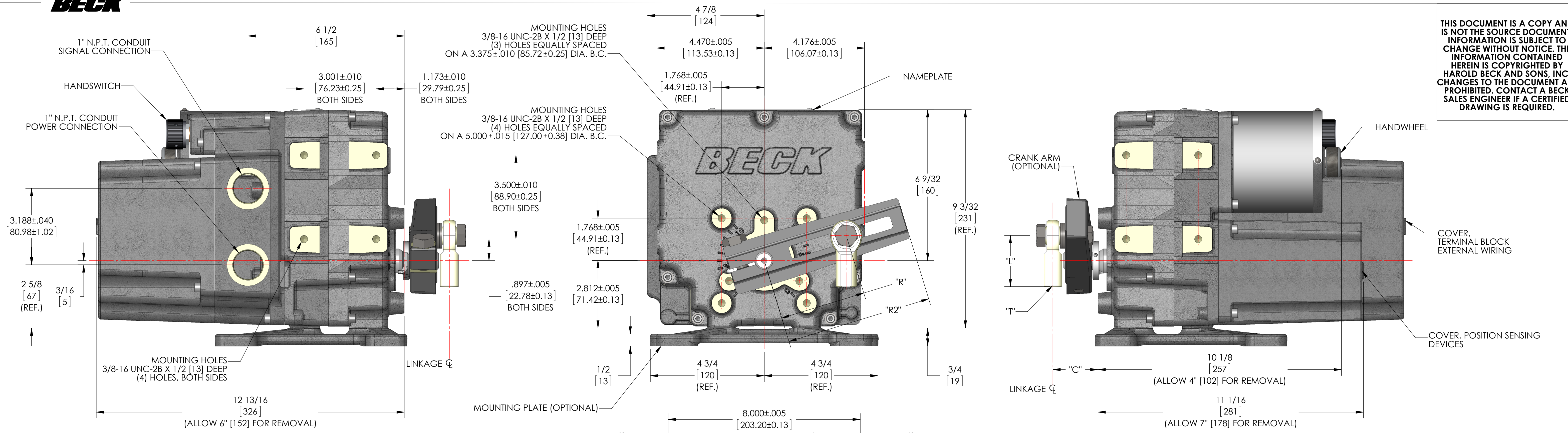


THIS DOCUMENT IS A COPY AND IS NOT THE SOURCE DOCUMENT. INFORMATION IS SUBJECT TO CHANGE WITHOUT NOTICE. THE INFORMATION CONTAINED HEREIN IS COPYRIGHTED BY HAROLD BECK AND SONS, INC. CHANGES TO THE DOCUMENT ARE PROHIBITED. CONTACT A BECK SALES ENGINEER IF A CERTIFIED DRAWING IS REQUIRED.



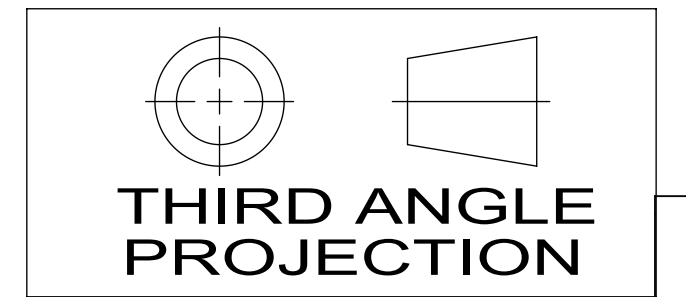
ALL DIMENSIONS ARE IN INCHES AND [MM] UNLESS OTHERWISE SPECIFIED.
 THREADS AND TAPPED HOLES ARE SPECIFIED AS UNIFIED THREAD SIZES ONLY.
 CONDUIT PIPE THREADS PER AMERICAN NATIONAL STANDARD TAPER PIPE THREADS (N.P.T.).
 TOLERANCES:
 OUTLINE DIMENSIONS ±1/4" [±6] UNLESS OTHERWISE SPECIFIED

FASTENER GUIDE		
	SIZE (IN.)	TORQUE LB.-FT./[Nm]
BODY SCREWS	1/4-20	6/[8]
COVER SCREWS	1/4-20	6/[8]
MOTOR SCREWS	1/4-20	6/[8]
BASEPLATE SCREWS	3/8-16	20/[27]

MOUNTING LOCATIONS WITH OPTIONAL MOUNTING PLATE

MOUNTING LOCATIONS WITHOUT OPTIONAL MOUNTING PLATE AND CRANK ARM

BECK DRIVE MODEL NO.	APPROX. WEIGHT	CRANKARM & ROD END						FASTENER GUIDE			MAXIMUM TORQUE	MAXIMUM OVERHUNG LOAD
		CRANKARM PART NO.	CRANKARM RADIUS (ADJUSTABLE) "R" DIM.	CRANKARM RADIUS "R2" DIM.	LINKAGE CENTER LINE TO (4) FRONT MOUNTING BOSSSES "C" DIM. RANGE	ROD END LENGTH "L" DIM.	ROD END INTERNAL THREAD "T" DIM.	CRANKARM SCREW (TORQUE- LB.-FT./[Nm])	ROD END SCREW (TORQUE- LB.-FT./[Nm])	ROD END LOCK NUT (TORQUE- LB.-FT./[Nm])		
75-100	46 LBS. 21 KGS.	10-3491-05	1-1/2 TO 5-1/8 [38 TO 130]	6-3/32 [155]	1-27/32 TO 1-7/8 [47 TO 48]	2-1/8 [54]	1/2-20 X 1-3/16 [30]	1/2-13 (75/[102])	1/2-13 (35/[47])	1/2-13 (55/[75])	80 LB.-FT. 108 Nm	750 LBS. 340 KGS.
		10-3491-52	1-1/2 TO 4 [38 TO 102]	4-11/16 [119]	1-21/32 TO 1-15/16 [42 TO 49]			3/8-24 (50/[68])				
		10-3492-02	1-1/2 TO 5-1/8 [38 TO 130]	5-11/16 [144]	1-11/32 TO 1-3/4 [34 TO 44]	1-3/8 [35]	5/16-24 X 3/4 [19]	5/16-24 (20/[27])	5/16-24 (20/[27])	5/16-24 (20/[27])	40 LB.-FT. 54 Nm	500 LBS. 227 KGS.



HAROLD BECK & SONS INC.
NEWTOWN INDUSTRIAL COMMONS NEWTOWN, PENNSYLVANIA 18940 USA

OUTLINE DIMENSIONS
 BECK 75-100 DRIVE

DRAWN: JM 5/7/13
 CHECKED: CHH 5-7-13
 APPROVED: HHS 5/8/13

SCALE: 1:2

DRAWING NO: 18-7500-01o
 REV: C

SHEET NO. 1 OF 1

18-7500-01o