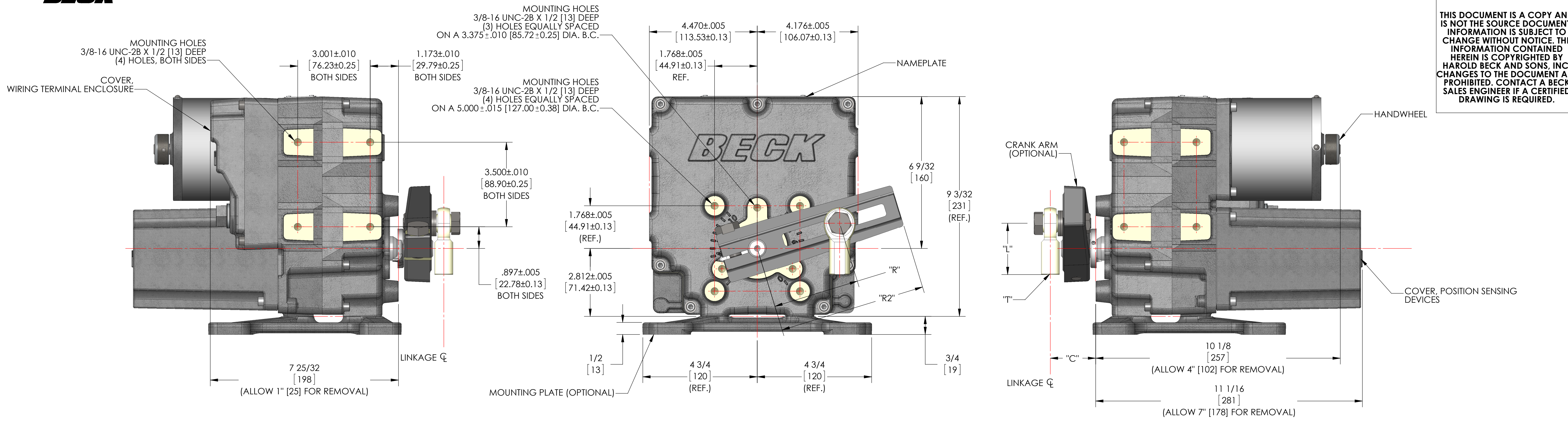


THIS DOCUMENT IS A COPY AND IS NOT THE SOURCE DOCUMENT. INFORMATION IS SUBJECT TO CHANGE WITHOUT NOTICE. THE INFORMATION CONTAINED HEREIN IS COPYRIGHTED BY HAROLD BECK AND SONS, INC. CHANGES TO THE DOCUMENT ARE PROHIBITED. CONTACT A BECK SALES ENGINEER IF A CERTIFIED DRAWING IS REQUIRED.

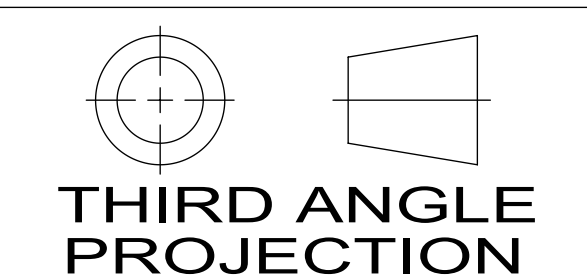


ALL DIMENSIONS ARE IN INCHES AND [MM] UNLESS OTHERWISE SPECIFIED.

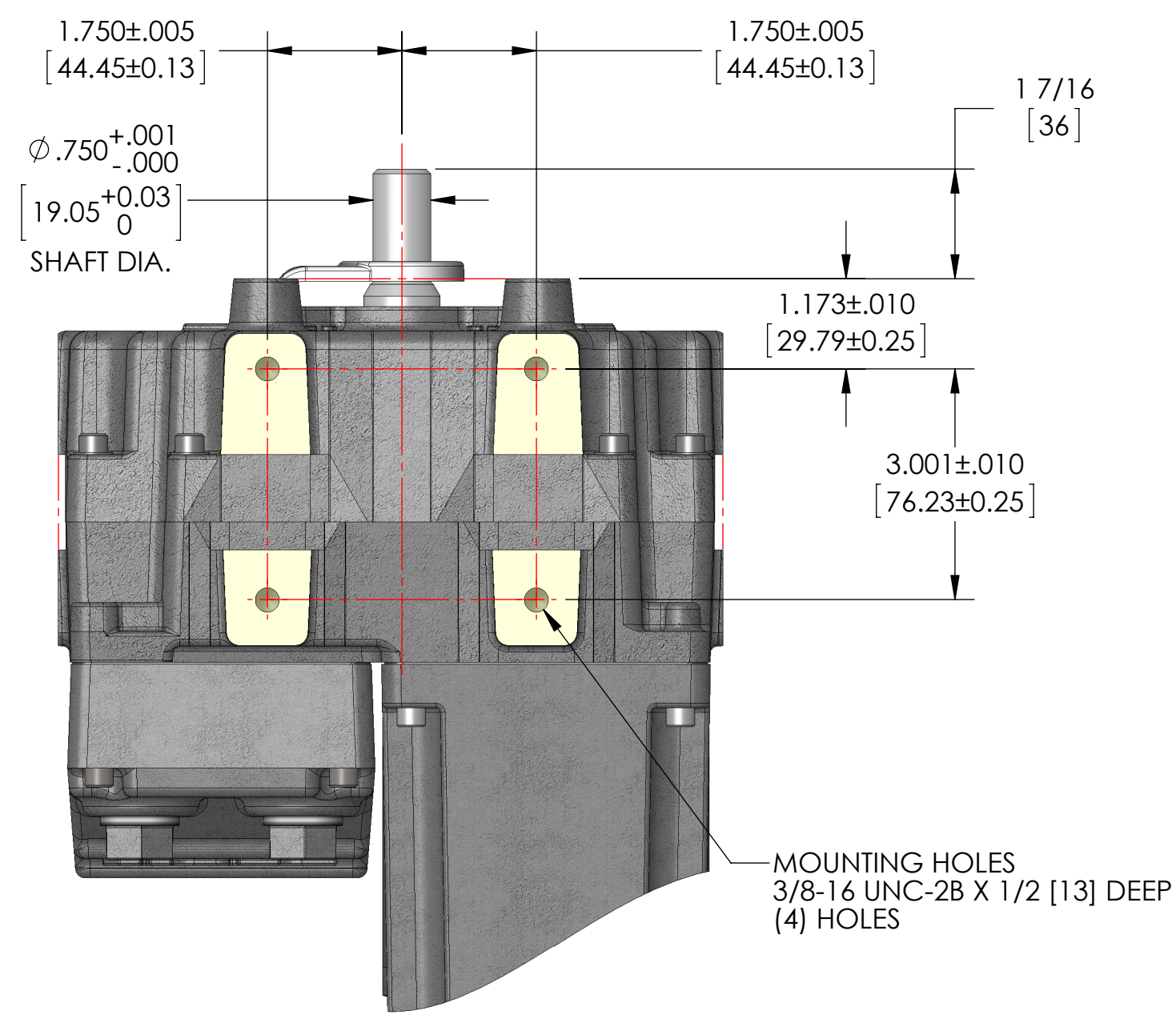
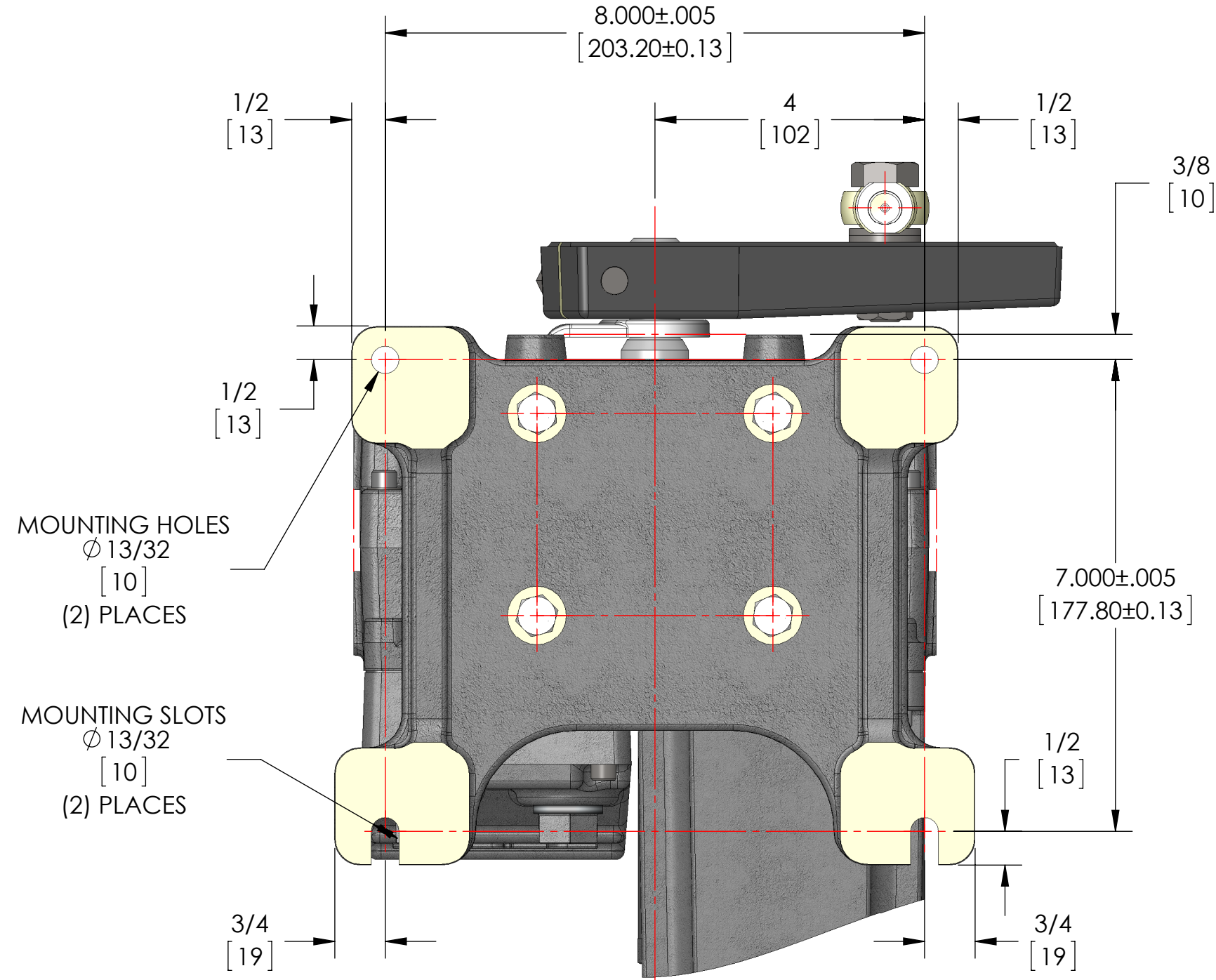
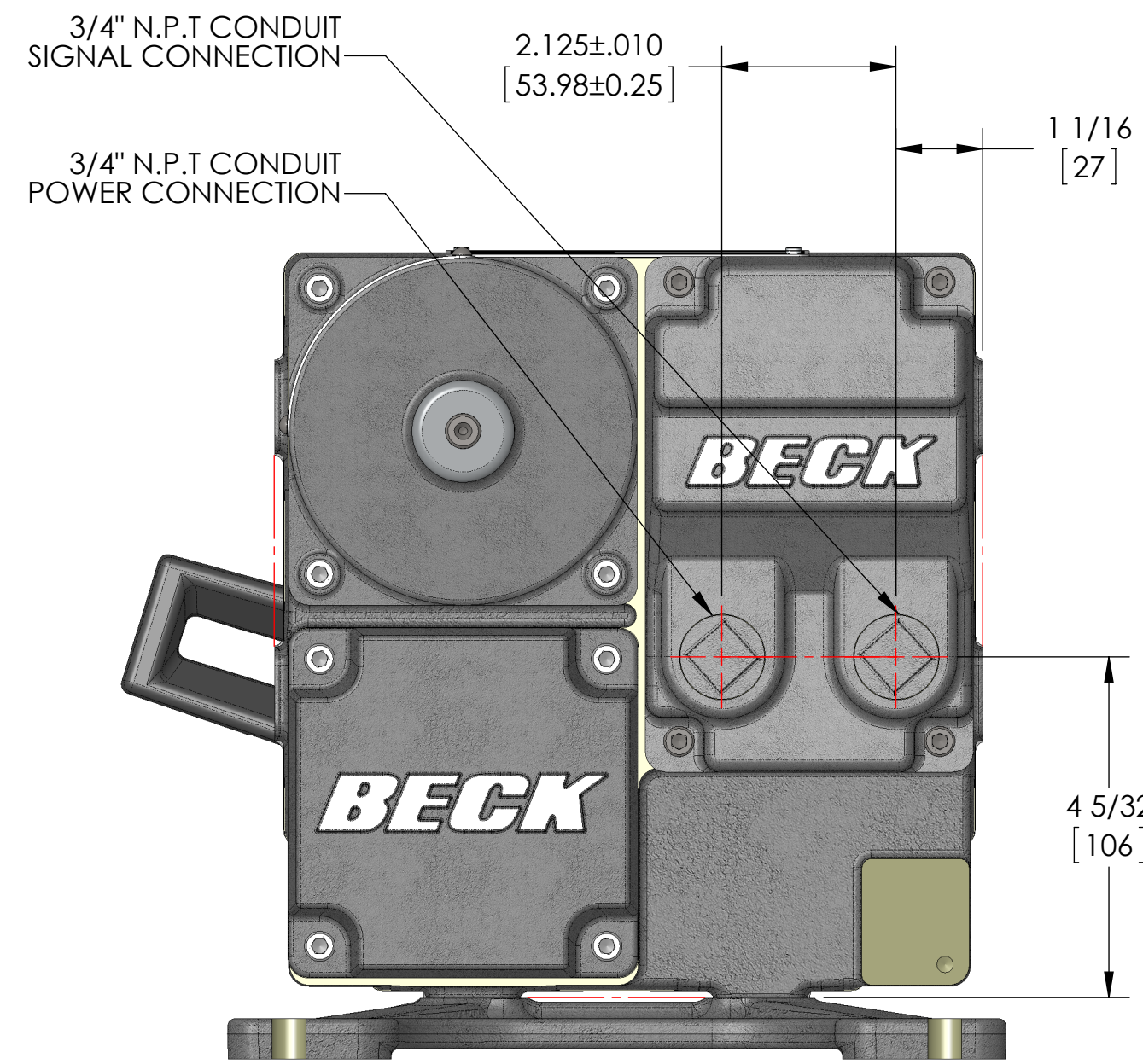
THREADS AND TAPPED HOLES ARE SPECIFIED AS UNIFIED THREAD SIZES ONLY.

CONDUIT PIPE THREADS PER AMERICAN NATIONAL STANDARD TAPER PIPE THREADS (N.P.T.).

TOLERANCES:
OUTLINE DIMENSIONS ±1/4" [±6] UNLESS OTHERWISE SPECIFIED.



FASTENER GUIDE		
	SIZE (IN.)	TORQUE LB.-FT./[Nm]
BODY SCREWS	1/4-20	6/[8]
COVER SCREWS	1/4-20	6/[8]
MOTOR SCREWS	1/4-20	6/[8]
BASEPLATE SCREWS	3/8-16	20/[27]



BECK DRIVE MODEL NO.	APPROX. WEIGHT	CRANKARM & ROD END						FASTENER GUIDE			MAXIMUM TORQUE	MAXIMUM OVERHUNG LOAD
		CRANKARM PART NO.	CRANKARM RADIUS (ADJUSTABLE) "R" DIM.	CRANKARM RADIUS "R2" DIM.	LINKAGE CENTER LINE TO (4) FRONT MOUNTING BOSSES "C" DIM. RANGE	ROD END LENGTH "L" DIM.	ROD END INTERNAL THREAD "T" DIM.	CRANKARM SCREW (TORQUE- LB.-FT./[Nm])	ROD END SCREW (TORQUE- LB.-FT./[Nm])	ROD END LOCK NUT (TORQUE- LB.-FT./[Nm])		
75-100	46 LBS. 21 KGS.	10-3491-05	1-1/2 TO 5-1/8 [38 TO 130]	6-3/32 [155]	1-27/32 TO 1-7/8 [47 TO 48]	2-1/8 [54]	1/2-20 X 1-3/16 [30]	1/2-13 (75/[102])	1/2-13 (35/[47])	1/2-13 (55/[75])	80 LB.-FT. 108 Nm	750 LBS. 340 KGS.
		10-3491-52	1-1/2 TO 4 [38 TO 102]	4-11/16 [119]	1-21/32 TO 1-15/16 [42 TO 49]			3/8-24 (50/[68])				
		10-3492-02	1-1/2 TO 5-1/8 [38 TO 130]	5-11/16 [144]	1-11/32 TO 1-3/4 [34 TO 44]	1-3/8 [35]	5/16-24 X 3/4 [19]	5/16-24 (20/[27])	5/16-24 (20/[27])	5/16-24 (20/[27])		

18-7500-02o

HAROLD BECK & SONS INC.
NEWTOWN INDUSTRIAL COMMONS, NEWTOWN, PENNSYLVANIA 18940 USA

TITLE: **OUTLINE DIMENSIONS BECK 75-100 DRIVE W/ TERMINAL ENCLOSURE, W/O HANDSWITCH**

SCALE: 1:2

DRAWING NO: **18-7500-02o**

REV: **C**

APPROVED: HHS 5/8/13

SHEET NO. 1 OF 1