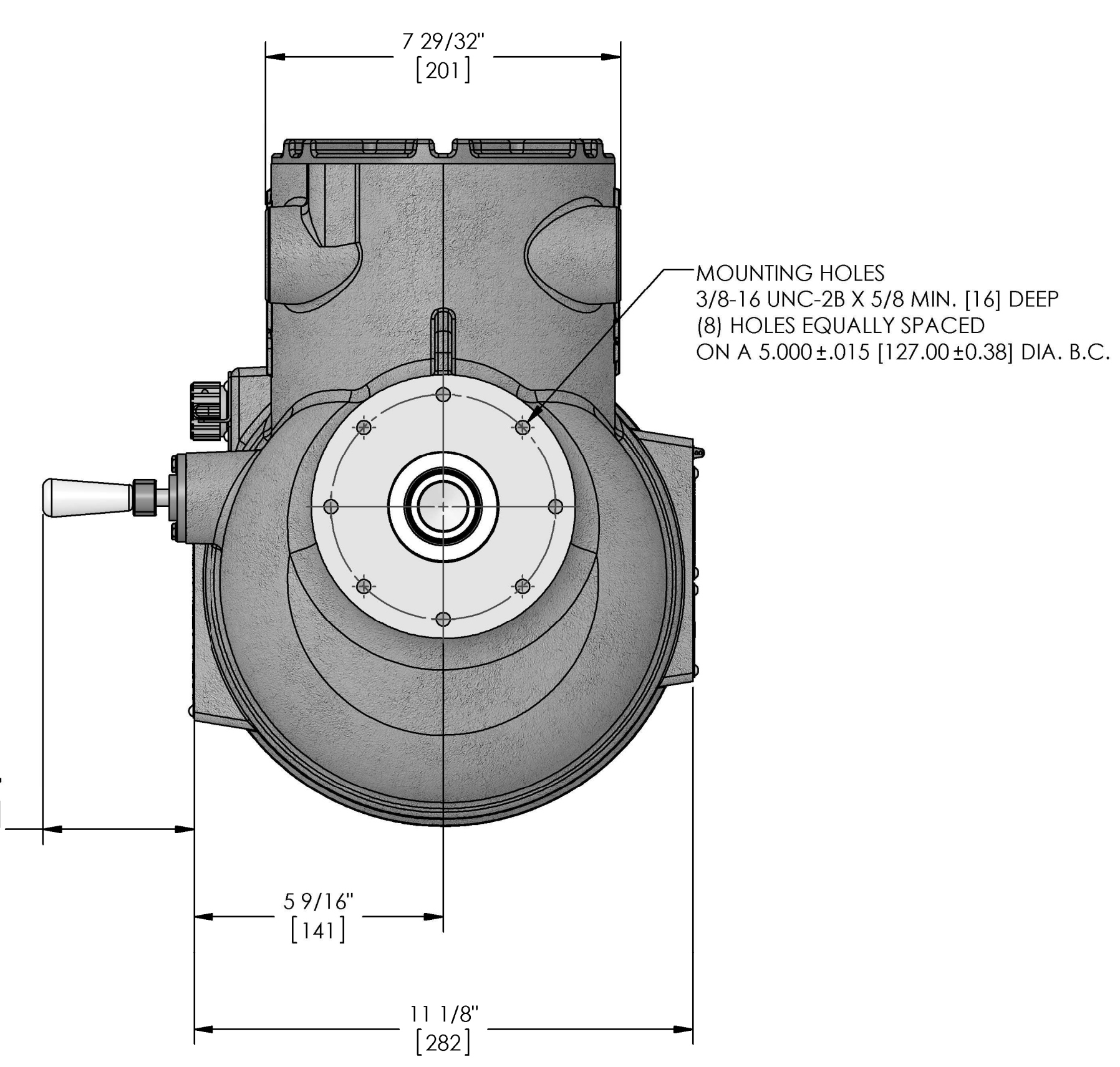
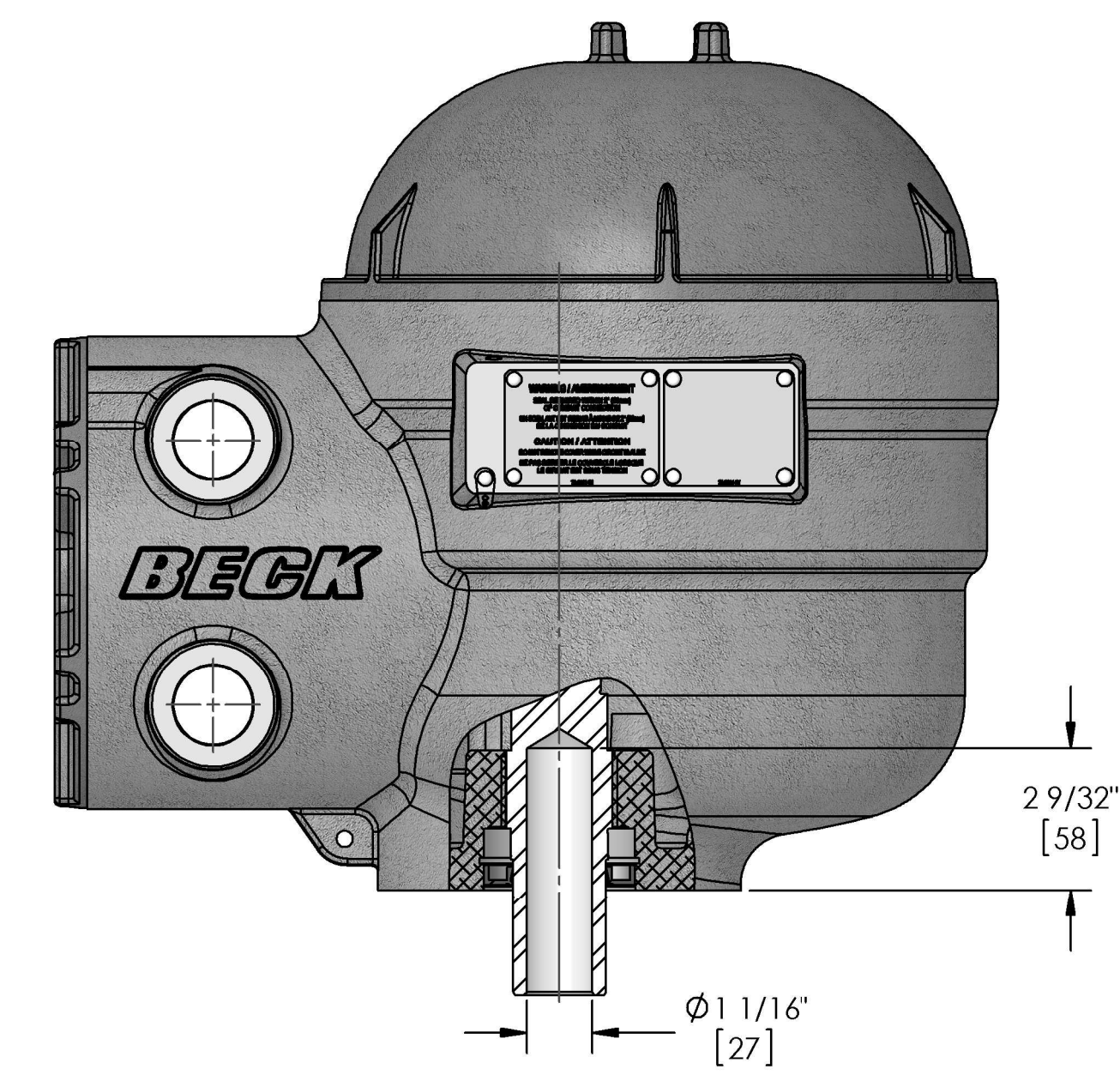
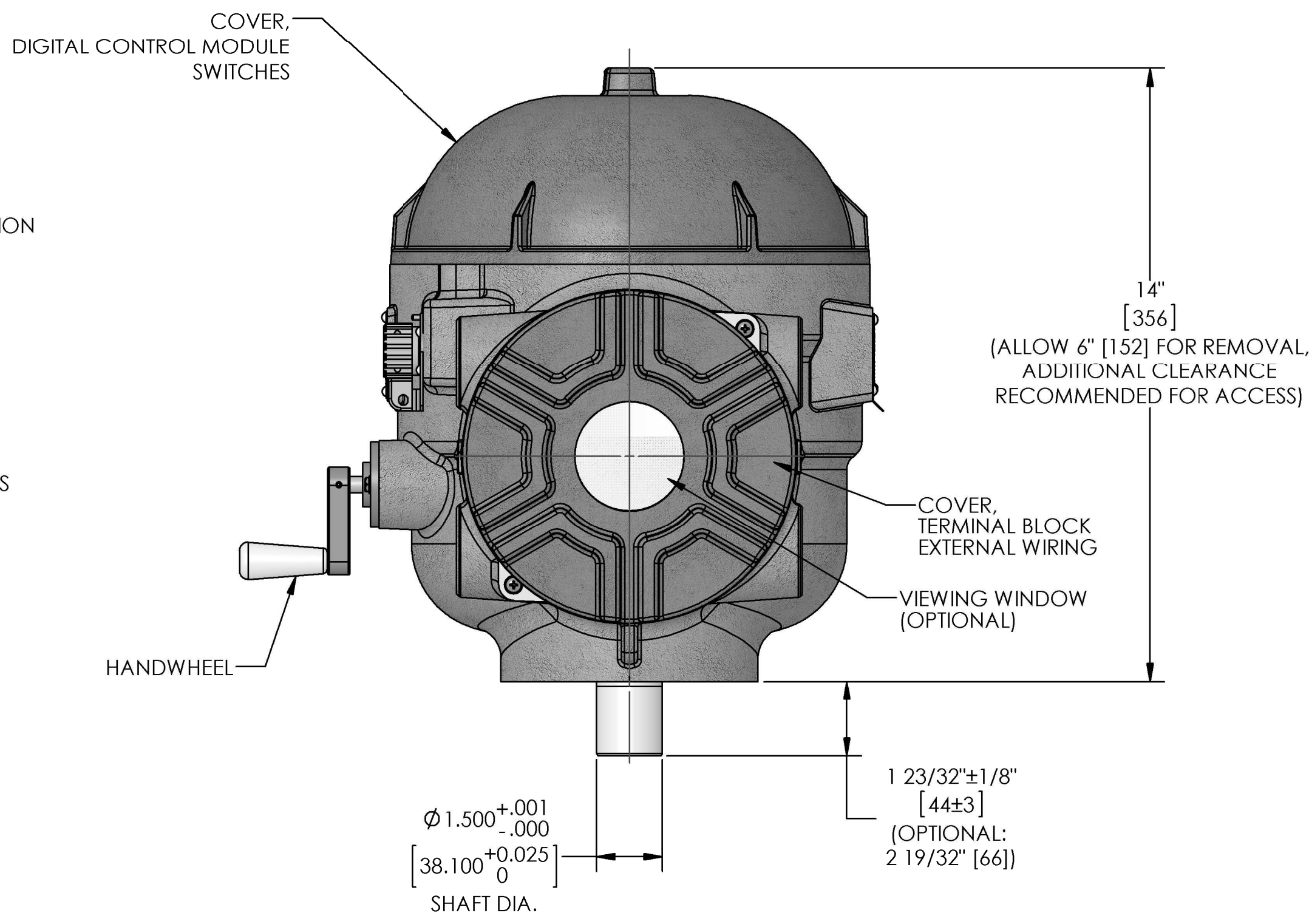
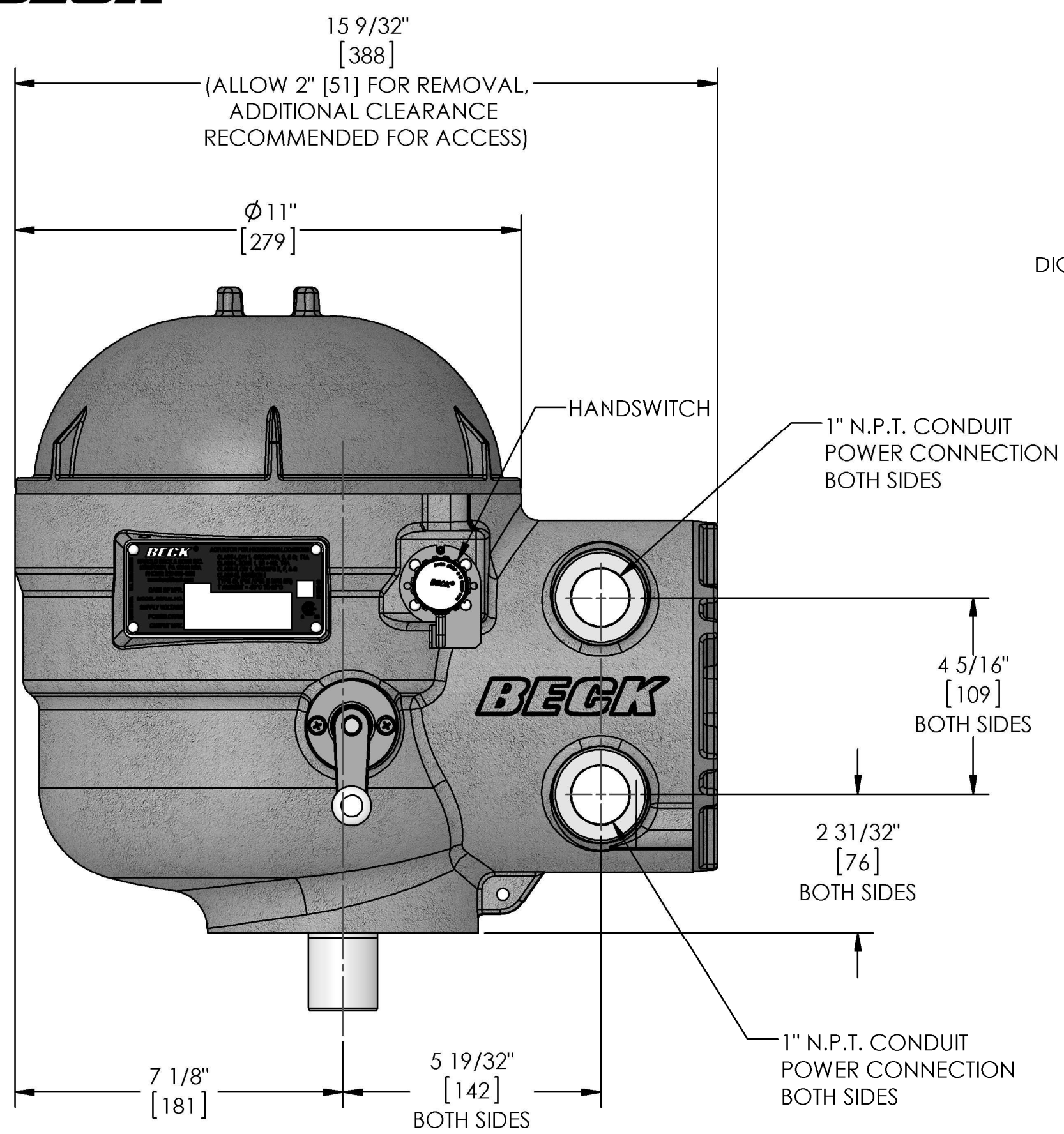


THIS DOCUMENT IS A COPY AND IS NOT THE SOURCE DOCUMENT. INFORMATION IS SUBJECT TO CHANGE WITHOUT NOTICE. THE INFORMATION CONTAINED HEREIN IS COPYRIGHTED BY HAROLD BECK AND SONS, INC. CHANGES TO THE DOCUMENT ARE PROHIBITED. CONTACT A BECK SALES ENGINEER IF A CERTIFIED DRAWING IS REQUIRED.

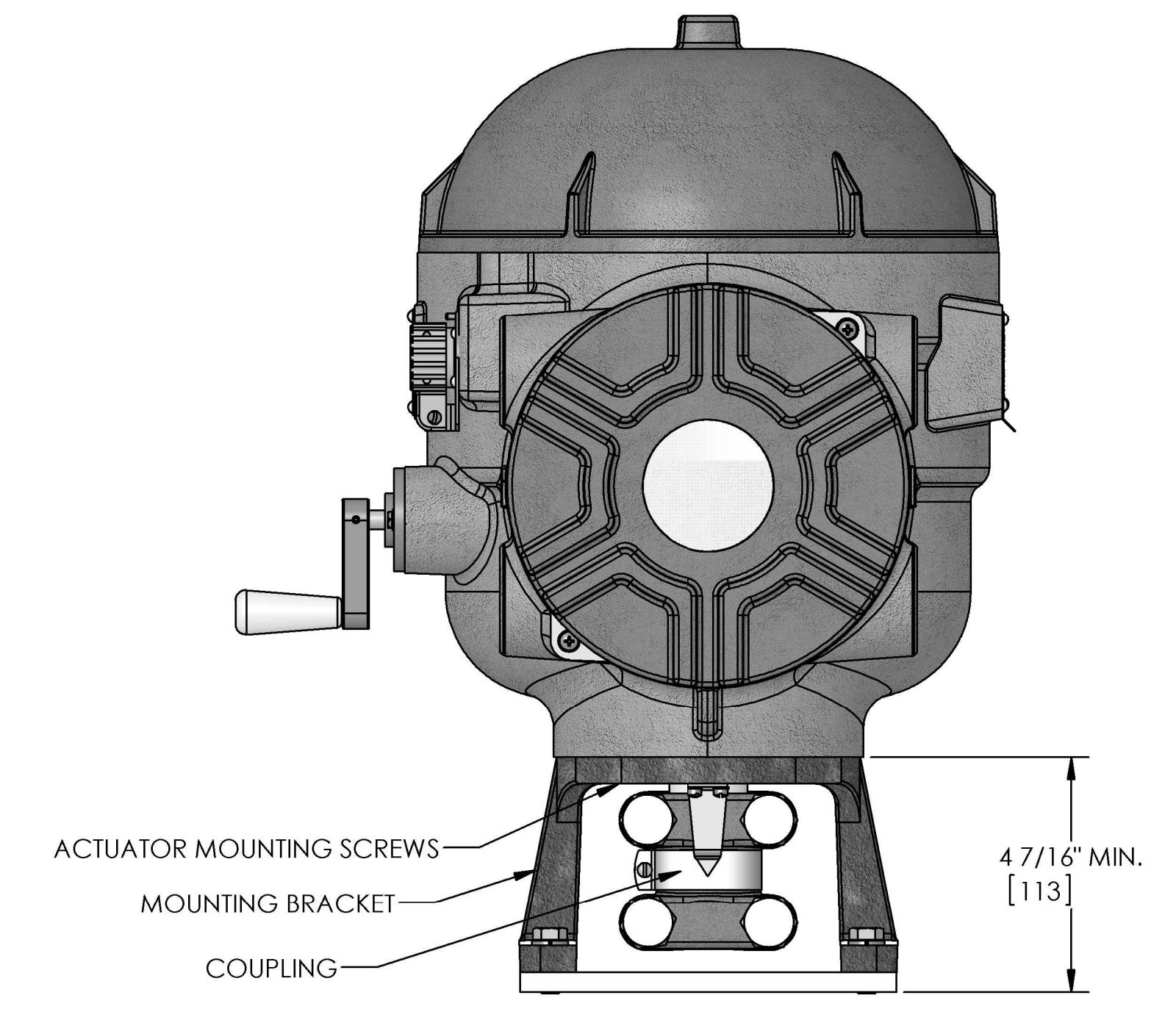


ALL DIMENSIONS ARE IN INCHES AND [MM] UNLESS OTHERWISE SPECIFIED.  
 THREADS AND TAPPED HOLES ARE SPECIFIED AS UNIFIED THREAD SIZES ONLY.  
 CONDUIT PIPE THREADS PER AMERICAN NATIONAL STANDARD TAPER PIPE THREADS (N.P.T.)  
 TOLERANCES:  
 OUTLINE DIMENSIONS ±1/4" [±6] UNLESS OTHERWISE SPECIFIED  
 NAMEPLATES SHOWN IN THEIR STANDARD LOCATIONS

BECK DRIVE MODEL NO.	APPROX. WEIGHT	RATED TORQUE	MAXIMUM OVERHUNG LOAD
57-109	59 LBS. 27 KGS.	120 LB.-FT. 163 Nm	750 LBS. 340 KGS.

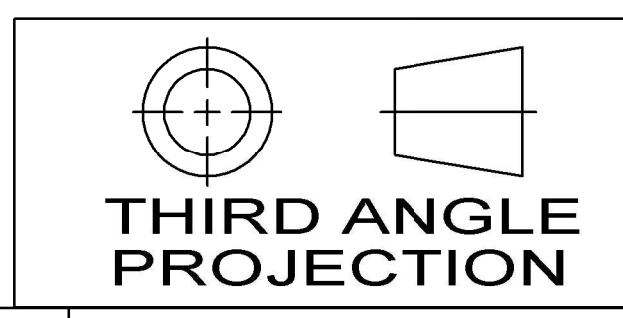
3 3/8" [86]  
 (ADDITIONAL CLEARANCE RECOMMENDED FOR ACCESS)

**VALVE DIRECT MOUNT HARDWARE**



FASTENER GUIDE		
	SIZE (IN.)	TORQUE LB.-FT./[Nm]
COUPLING SCREWS	5/8-18	170*/[230*]
ACTUATOR MOUNTING SCREWS	3/8-16	25*/[34*]

\* MAY VARY PER APPLICATION. REFER TO VALVE MOUNTING SPECIFICATION SHEET SHIPPED WITH YOUR DRIVE



**HAROLD BECK & SONS INC.**  
 NEWTOWN INDUSTRIAL COMMONS NEWTOWN, PENNSYLVANIA 18940 USA

TITLE:  
 OUTLINE DIMENSIONS,  
 BECK 57-109 DRIVE

DRAWN: JM 8-14-2018	SCALE: 3/8	DRAWING NO.:	REV:
CHECKED: BDP/CHH 9-19-18		18-5700-01o	-
APPROVED: FWB 9-20-18		SHEET NO. 1 OF 1	